

Inductive spring-loaded Transducer

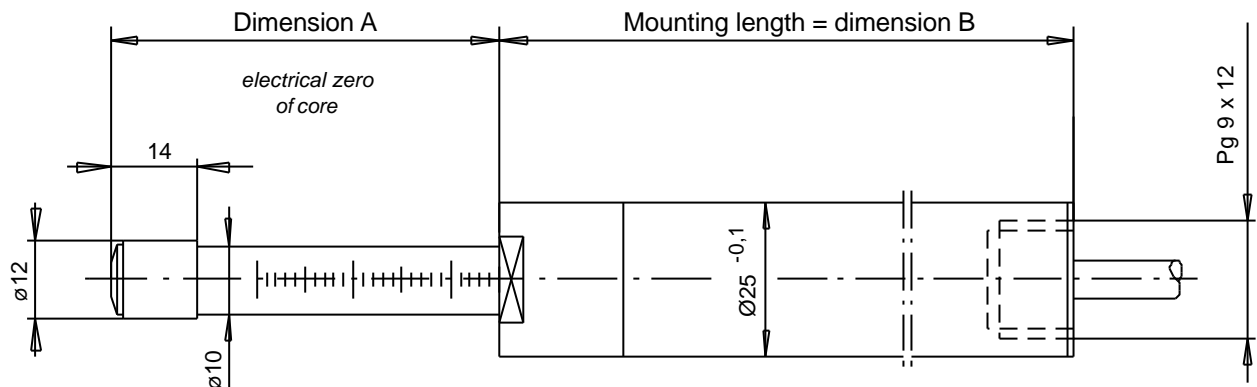
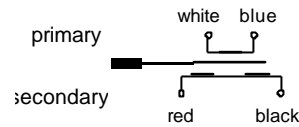
robust industrial version

DTC

MESSOTRON

Cable interface

Teflon cable 5 m long



| | | DTC 20 | DTC 40 | DTC 50 | DTC 100 |
|-----------------------------------|------------------|-------------------------|--------|--------|---------|
| Nominal stroke | mm | ±10 | ±20 | ±25 | ±50 |
| Dimension A | mm | 30 | 40 | 45 | 70 |
| Dimension B | mm | 195 | 255 | 265 | 435 |
| Dimension B | N | 7.0 | 8.3 | 8.3 | 9.4 |
| Spring constant (approx.) | N/mm | 0.33 | 0.15 | 0.13 | 0.08 |
| Transducer weight (approx.) | g | 500 | 630 | 650 | 950 |
| Core weight (approx.) | g | 55 | 76 | 80 | 120 |
| Stroke scale marking on probe rod | | x | | x | |
| Nominal output signal | mV/V | 80 | 80 | 80 | 80 |
| Sensitivity (approx.) | mV/V/mm | 8 | 4 | 3.2 | 1.6 |
| Excitation voltage | V _{eff} | 1 ... 5 | | | |
| Excitation frequency *) | | 5 kHz option: 10 kHz | | | |
| Linearity *) | | 0.4% F.S.O. option 0.2% | | | |
| Temperature coefficient of zero | | ±0.1%/10K | | | |
| Temperature coefficient of span | | ±0.15%/10K | | | |
| Operating temperature | | -50°C ... 120°C | | | |
| Protection class (DIN 40050) | | IP 54 | | | |

*) select option when ordering

| | | |
|--|-----------------------------|-------------------------------|
| MESSOTRON Hennig GmbH & Co. KG Industrie-Messtechnik Friedr.-Evert-Str. 37, Tel.: (08257) 82331 D-64342 Sochheim-Jungenheim | DTC series 20 ... 100 mm | Data Sheet 27.12.01 |
| | | Date 06/97 |

Design of transducer can be customised

Subject to change without prior notice

08/00