

Inductive Transducer

splash-proof DWN

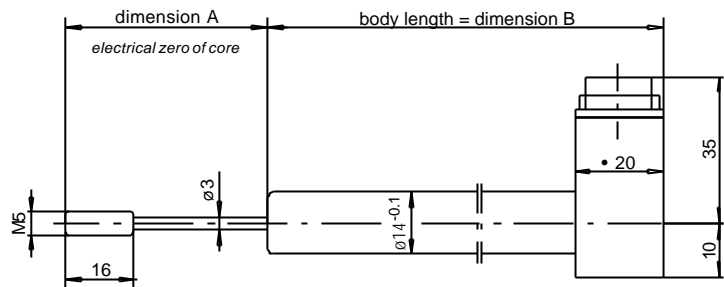
MESSOTRON

radial connector interface

mating connector provided
core channel non-continuous

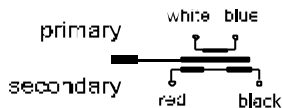


Example: DWN 100 R 0,5%

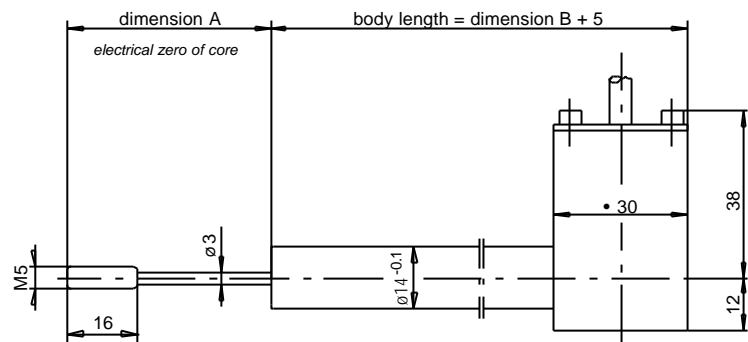


radial wire interface

PE-cable, 2.5 m long
core channel non-continuous

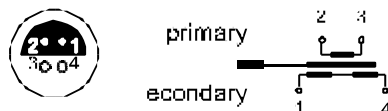


Example: DWN 100 Q 0,25%



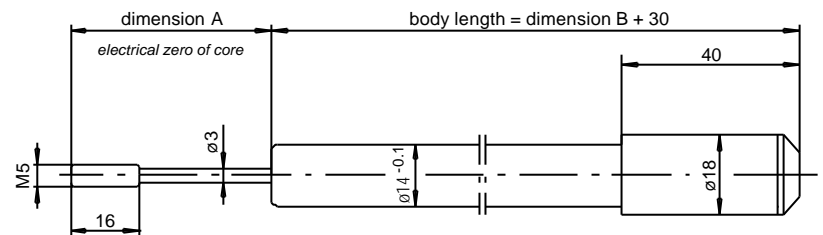
axial connector interface

mating connector supplied



core channel non-continuous

Example: DWN 100 LX 0,5%



		DWN 15	DWN 25	DWN 40	DWN 50	DWN 100	DWN 150	DWN 200	DWN 250	DWN 300	DWN 400
Electrical stroke	mm	±7,5	±12,5	±20	±25	±50	±75	±100	±125	±150	±200
Max. mechanical stroke	mm	18	28	42	55	105	160	210	260	320	420
Dimension A	mm	40	40	50	55	80	105	130	155	180	230
Dimension B	mm	80	90	110	130	170	250	330	410	490	630
Transducer weight	g	100	110	120	130	150	200	250	280	330	400
Plunger weight	g	7	7	8	9	16	20	25	28	30	35
Excitation voltage *)		1... 5 Veff									
Excitation frequency *)		5 kHz option: 10 kHz									
static resolution		virtually infinite									
Recommended amplifier		MBI 46.31									
Linearity *)		±0.5% F.S.O.; option: ±0.25%									
Temperature coefficient of zero		±0.04% / 10K									
Temperature coefficient of span		±0.1% / 10K									
Operational temperature		-20°C ... +80°C									
Protection class (DIN 40050)		IP 66									

*) select option when ordering

MESSOTRON
Hennig GmbH & Co. KG
Industrie-Messtechnik
Friedr.-Evert-Str. 37, Tel.: (06257)82331
D 64342 Sochheim-Jungenheim

DWN Series
15 ... 400 mm

Drawing
27.27.00

Date 10/95