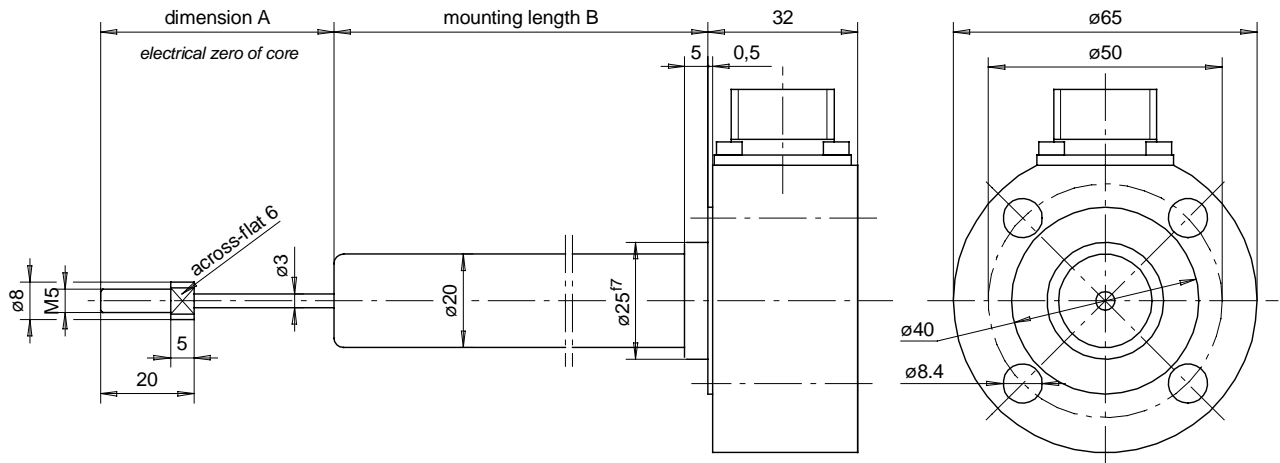


# Inductive Transducer

for hydraulic and pneumatic cylinder applications

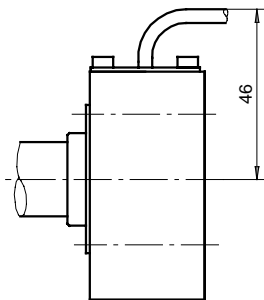
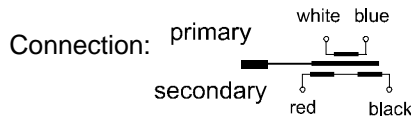
**DPO** (pressure-proof up to 320 bar)

**MESSOTRON**



## radial wire interface

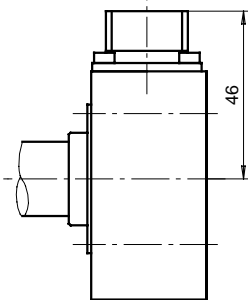
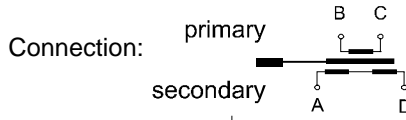
teflon wire 2.5 m long



Example: DPO 300 Q 0.5%

## radial connector interface

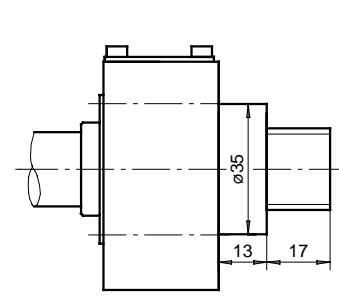
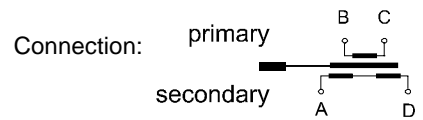
mating connector supplied



Example: DPO 300 R 0.25%

## axial connector interface

mating connector supplied



Example: DPO 300 AX 0.5%

		DPO 25	DPO 50	DPO 100	DPO 150	DPO 200	DPO 250	DPO 300
Electrical stroke	mm	±12,5	±25	±50	±75	±100	±125	±150
Max. mechanical stroke	mm	30	55	105	160	210	260	320
Dimension A	mm	40	55	80	105	130	155	180
Mounting length B	mm	60	100	140	220	300	380	480
Transducer weight	g	800	850	900	1000	1150	1250	1400
Plunger weight	g	12	14	16	20	25	28	30
Excitation frequency *)		5 kHz option: 10 kHz						
Output signal(5 kHz) (approx.)	mV/V	100	110	140	125	130	135	140
Output signal (10 kHz) (approx.)	mV/V	100	100	135	140	140	160	210
Excitation voltage		1 ... 5 Veff						
Recommended amplifier		MBI 46.31						
Linearity *)		±0.5% F.S.O.; option: ±0.25%						
Temperature coefficient of zero		±0.04% / 10K						
Temperature coefficient of span		±0.1% / 10K						
Pressure resistance		operating pressure 320 bar, test pressure 450 bar						
Operational temperature *)		-40°C ... +80°C; option: up to 120°C						
Protection class (DIN 40050)		IP 65						

\*) select option when ordering

**MESSOTRON**  
Hennig GmbH & Co. KG  
Industrie-Messtechnik  
Friedr.-Ebert-Str. 37, Tel.: (06257)82331  
D-64342 Seeheim-Jugenheim

DPO-Series  
25 ... 1000 mm

Drawing  
28.24.03  
Page 1

Date 06/97  
Previous issues 28.24.01/02

Design of transducers can be customised

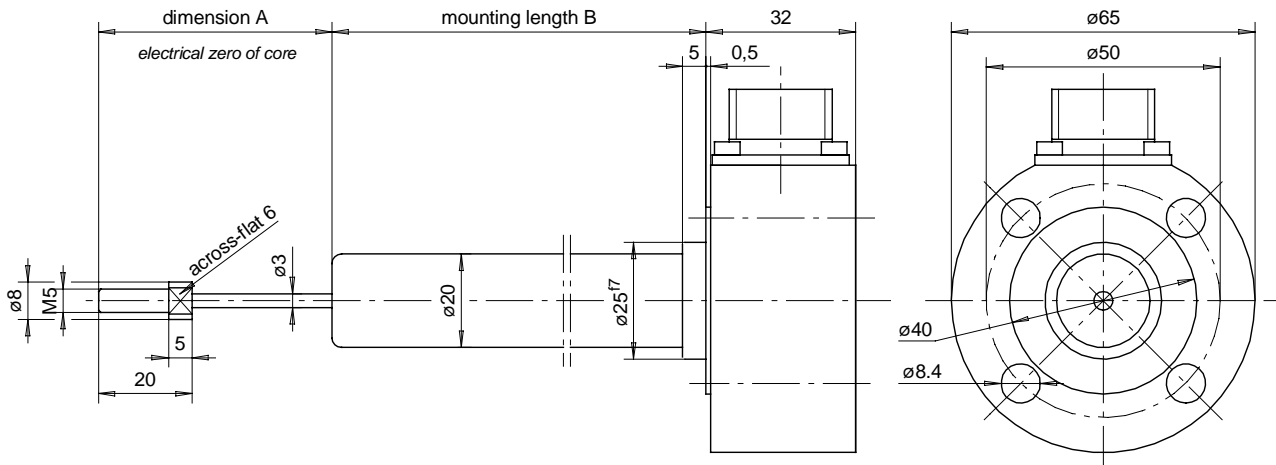
Subject to change without prior notice  
08/99

# Inductive Transducer

for hydraulic and pneumatic cylinder applications

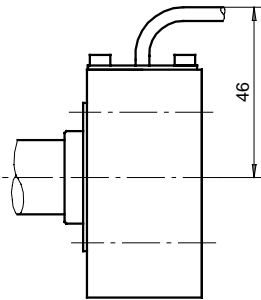
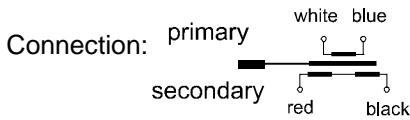
**DPO** (pressure-proof up to 320 bar)

**MESSOTRON**



## radial wire interface

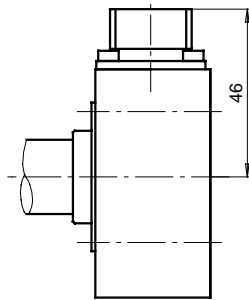
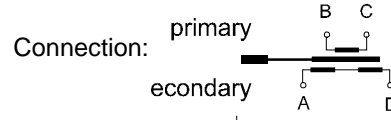
teflon wire 2.5 m long



Example: DPO 500 Q 0.5%

## radial connector interface

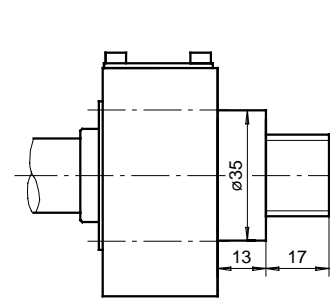
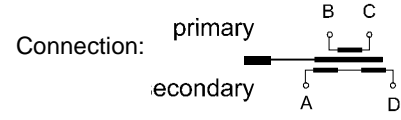
mating connector supplied



Example: DPO 500 R 0.25%

## axial connector interface

mating connector supplied



Example: DPO 500 AX 0.5%

		DPO 400	DPO 500	DPO 600	DPO 800	DPO 1000
Electrical stroke	mm	±200	±250	±300	±400	±500
Max. mechanical stroke	mm	420	520	630	830	1030
Dimension A	mm	230	280	340	440	540
Mounting length B	mm	600	730	860	1120	1400
Transducer weight	g	1600	1800	2000	2400	2800
Plunger weight	g	35	40	50	65	80
Excitation frequency *)		5 kHz option: 10 kHz		5 kHz		
Output signal (5 kHz) (approx.)	mV/V	150	160	175	175	175
Output signal (10 kHz) (approx.)	mV/V	210	250	---	---	---
Excitation voltage		1 ... 5 Veff				
Recommended amplifier		MBI 46.31				
Linearity *)		±0.5% F.S.O.; option: ±0.25%				
Temperature coefficient of zero		±0.04% / 10K				
Temperature coefficient of span		±0.1% / 10K				
Pressure resistance		operating pressure 320 bar, test pressure 450 bar				
Operational temperature *)		-40°C ... +80°C; option: up to 120°C				
Protection class (DIN 40050)		IP 65				

\*) select option when ordering

**MESSOTRON**  
Hennig GmbH & Co. KG  
Industrie-Messtechnik  
Friedr.-Ebert-Str. 37, Tel.: (06257)82331  
D-64342 Seeheim-Jugenheim

DPO-Series  
25 ... 1000 mm

Drawing  
**28.24.03**  
Page 2

Date 06/97  
Previous issues 28.24.01/02

Design of transducers can be customised

Subject to change without prior notice  
08/99